

NPV Pneumatic Cylinder

Features and Benefits :

1. All cylinders manufactured by NPV to mount directly to our valves eliminating need for an adapter plate
2. NPV cylinders manufactured of aluminum or composite housing means lighter weight and corrosion resistance
3. All cylinder operated valves supplied with Stainless Steel lockout bar and limit switch brackets
4. Piston seal is an elastomer quad seal providing longer life and positive seal when compared to standard o-ring seal
5. Cylinder stem seal is a U-cup design protected by scraper for longer life and positive sealing
6. Length of lower cylinder bridge serves as guide for stem reducing any side torque extending seal life
7. When used on high cycle scavenger valves, extra precaution is taken to prevent stem and clevis coming apart by threading and pinning the connection
8. For all high cycle scavenger valves, clevis to gate connection is mechanically secured with set screws to prevent premature failure
9. Cylinders are easily field repairable by replacing complete soft goods kit
10. Due to light weight construction of all NPV cylinders and the strength of 4-post topworks, most installations do not require additional support



NPV cylinders: 5"-20" bore



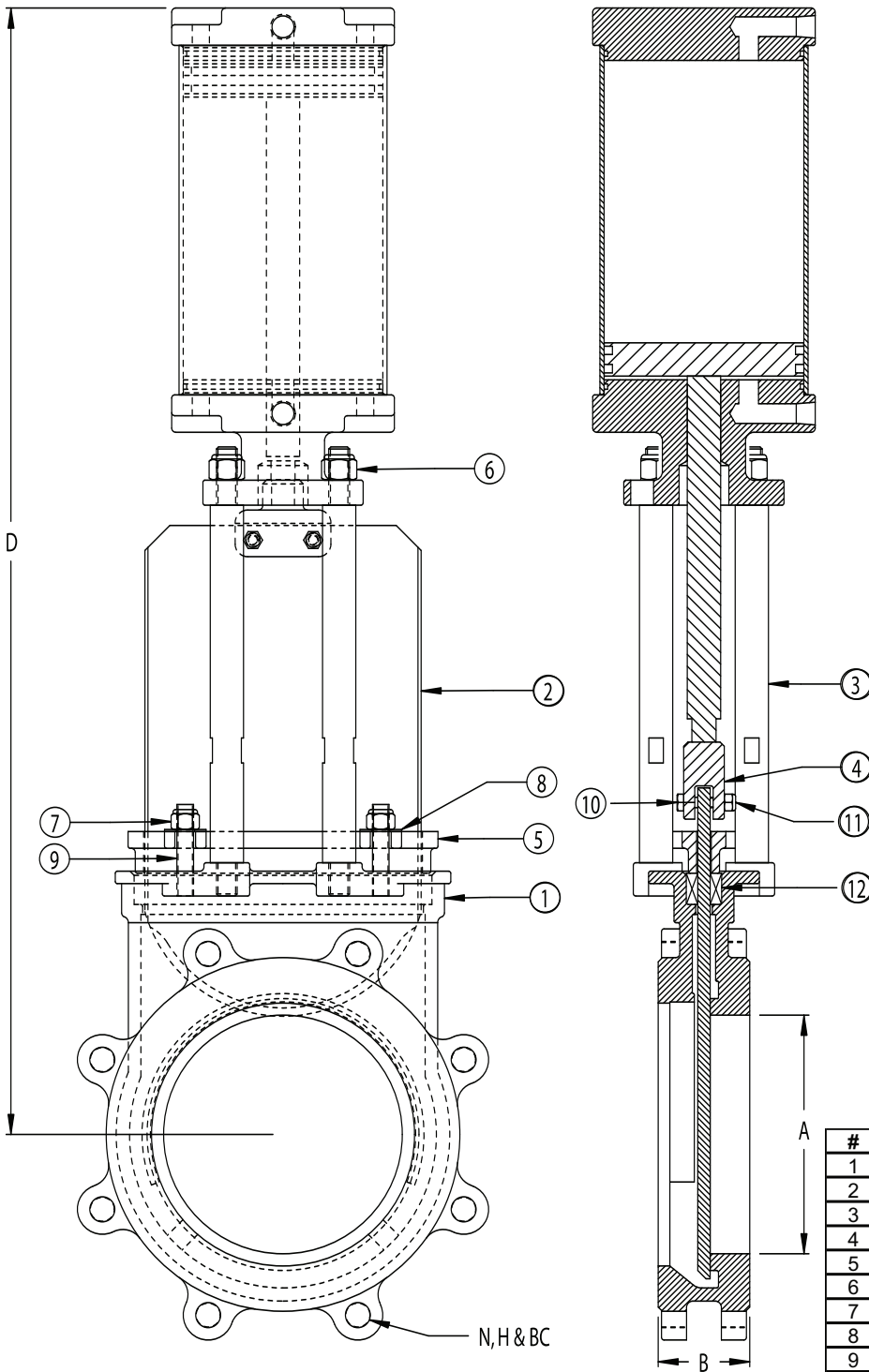
Stainless Steel bar for cylinder lockout in open and closed position

DUFRENE AND COMPANY, LLC
EXCLUSIVE AGENT/NORTH PORT VALVES

BRIAN M. DUFRENE
VICE PRESIDENT/BUSINESS DEVELOPMENT

CELL: 225-938-5025
brian@dufrenevalve.com
OFC: 225-753-5006
FAX: 225-753-8828
sales@dufrenevalve.com

NPV Pneumatic Cylinder



#	PART NAME	MATERIAL
1	BODY	CG8M (317 S.S.)
2	GATE	316L S.S.
3	STANCHION	303 S.S.
4	COUPLING	CG8M (317 S.S.)
5	GLAND	CG8M (317 S.S.)
6	NYLOCK NUT	18.8 S.S.
7	GLAND NYLOCK NUT	18.8 S.S.
8	GLAND WASHER	18.8 S.S.
9	GLAND STUD	18.8 S.S.
10	COUPLING BOLT	18.8 S.S.
11	COUPLING NYLOCK NUT	18.8 S.S.
12	PACKING	TEFLON
13	AIR CYLINDER ASSEMBLY	N/A

	3"	4"	6"	8"	10"	12"	14"	16"	18"	20"	24"	30"
A	3"	3 3/4"	5 3/4"	7 5/8"	9 1/2"	11 1/8"	13 3/16"	15 35/64"	17 7/16"	19 11/32"	23"	28 5/16"
B	2"	2"	2 1/4"	2 3/4"	2 3/4"	3"	3"	3 1/2"	3 1/2"	4 1/2"	4 1/2"	4 1/2"
N(HOLES)	4	8	8	8	12	12	12	16	16	20	20	28
H(TAP)	5/8" - 11	5/8" - 11	3/4" - 10	3/4" - 10	7/8" - 9	7/8" - 9	1" - 8	1" - 8	1 1/8" - 7	1 1/8" - 7	1 1/4" - 7	1 1/4" - 7
BC	6"	7 1/2"	9 1/2"	11 3/4"	14 1/4"	17"	18 3/4"	21 1/4"	22 3/4"	25"	29 1/2"	36"
D	20 3/8"	22 1/4"	28 1/4"	34"	40"	47 1/2"	54 1/4"	63 3/4"	68 1/2"	75 3/4"	87"	105 1/4"