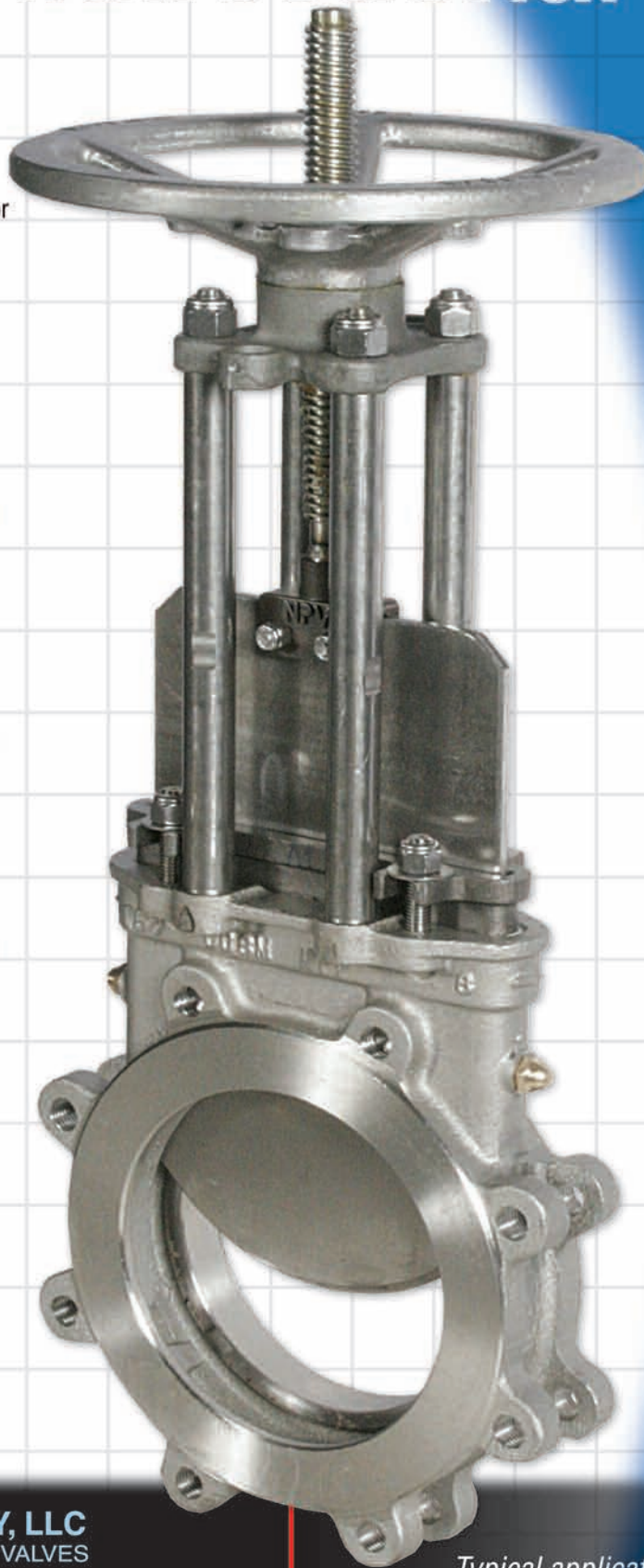


NPV Unidirectional Valve

Features and Benefits :

1. NPV Unidirectional casting provides for full guiding of gate throughout the cycle which prevents any gate distortion even in the event of a back pressure
2. Guiding of gate in body casting also extends cycle life of packing material
3. Leakage rate with metal to metal seats on water is Class 4 in preferred direction
4. Leakage rate with elastomer seats on water is bubble tight shutoff in preferred direction
5. NPV Unidirectional valves can be supplied with Stainless Steel mechanical lockout bar or cylinder lockout bar
6. NPV valves are manufactured to be easily adapted for cylinder operation without need for additional mounting accessories. Allows for convenient field mounting, when necessary
7. Valve is manufactured of Stainless Steel components to prevent damaging corrosion, both internal and external
8. Unidirectional valves available from 2"-48" diameter, both metal and elastomer seated.

NOTE: All Unidirectional valves must have pressure behind the gate upon closing for proper sealing



Large diameter valves, 24"-48"



Manual lockout

REPLACEABLE SEAT CARTRIDGES:



Typical applications include:

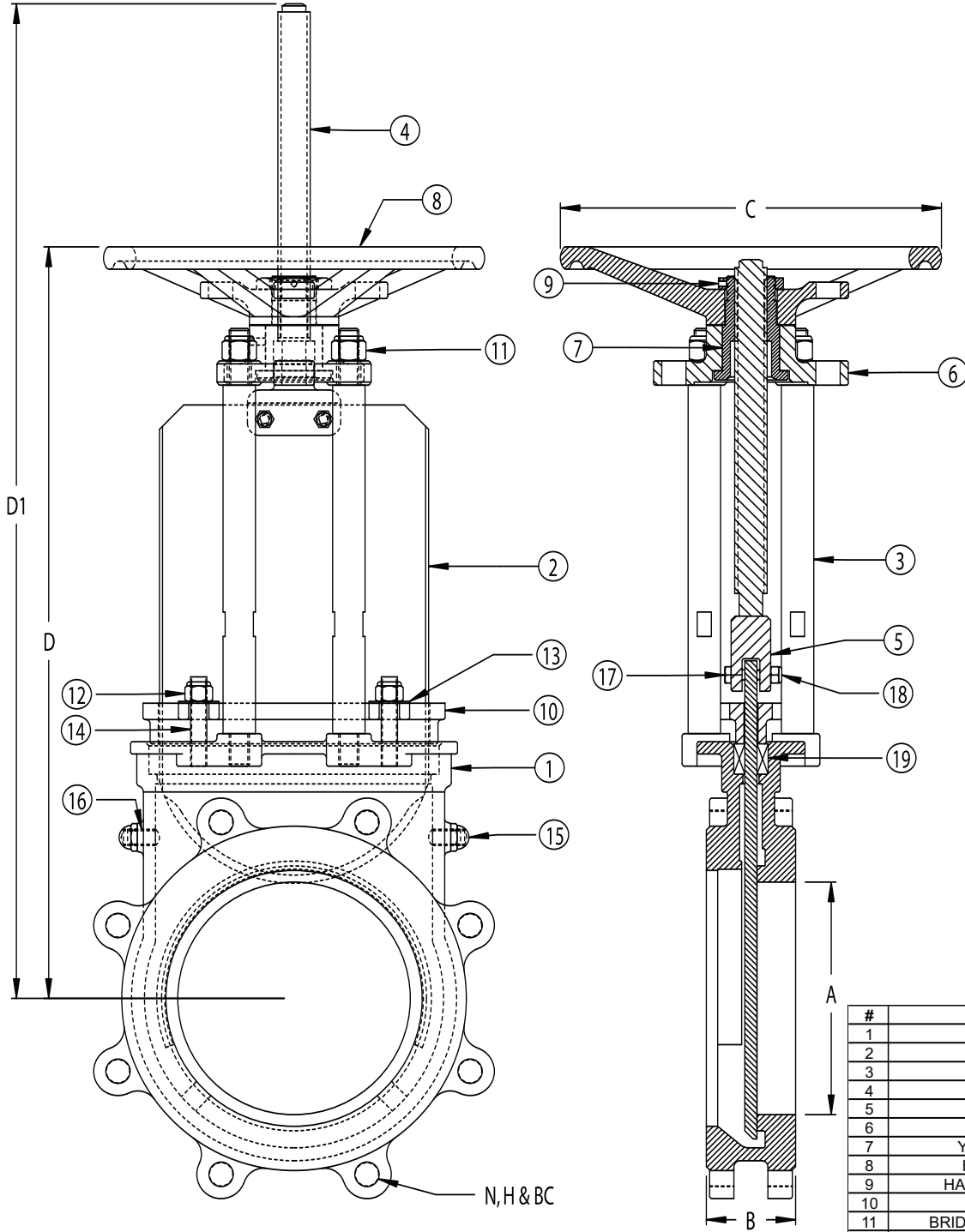
1. Low density stock
2. Moderate slurries
3. Water applications with elastomer seal

DUFRENE AND COMPANY, LLC
EXCLUSIVE AGENT/NORTH PORT VALVES

BRIAN M. DUFRENE
VICE PRESIDENT/BUSINESS DEVELOPMENT

CELL: 225-938-5025
brian@dufrenevalve.com
OFC: 225-753-5006
FAX: 225-753-8828
sales@dufrenevalve.com

NPV Undirectional Valve



#	PART NAME	MATERIAL
1	BODY	CG8M (317 S.S.)
2	GATE	316L S.S.
3	STANCHION	303 S.S.
4	STEM	303 S.S.
5	COUPLING	CG8M (317 S.S.)
6	BRIDGE	ALUMINUM 356
7	YOKE SLEEVE	660 BRONZE
8	HANDWHEEL	ALUMINUM
9	HANDWHEEL NUT	NAVY BRASS
10	GLAND	CG8M (317 S.S.)
11	BRIDGE NYLOCK NUT	18.8 S.S.
12	GLAND NYLOCK NUT	18.8 S.S.
13	GLAND WASHER	18.8 S.S.
14	GLAND STUD	18.8 S.S.
15	ACORN NUT	BRASS
16	ALIGNMENT STUD	18.8 S.S.
17	COUPLING BOLT	18.8 S.S.
18	COUPLING NYLOCK NUT	18.8 S.S.
19	PACKING	TEFLON

	2"	3"	4"	5"	6"	8"	10"	12"	14"	16"	18"	20"	24"	30"	36"
A	2"	3"	3 3/4"	4 7/8"	5 3/4"	7 5/8"	9 1/2"	11 1/8"	13 3/16"	15 35/64"	17 7/16"	19 11/32"	23"	28 5/16"	33 1/2"
B	1 7/8"	2"	2"	2 1/4"	2 1/4"	2 3/4"	2 3/4"	3"	3"	3 1/2"	3 1/2"	4 1/2"	4 1/2"	4 1/2"	5"
N(HOLES)	4	4	8	8	8	8	12	12	12	16	16	20	20	28	32
H(TAP)	5/8" - 11	5/8" - 11	5/8" - 11	3/4" - 10	3/4" - 10	3/4" - 10	7/8" - 9	7/8" - 9	1" - 8	1" - 8	1 1/8" - 7	1 1/8" - 7	1 1/4" - 7	1 1/4" - 7	1 1/2" - 7
BC	4 3/4"	6"	7 1/2"	8 1/2"	9 1/2"	11 3/4"	14 1/4"	17"	18 3/4"	21 1/4"	22 3/4"	25"	29 1/2"	36"	42 3/4"
C	7 1/2"	7 1/2"	7 1/2"	9"	9"	11 3/4"	11 3/4"	15 3/4"	15 3/4"	20"	20"	20"	23 5/8"	26 3/4"	31 1/2"
D	11 5/8"	13 1/2"	15"	17"	18 1/4"	23"	28"	31 7/8"	36 7/8"	44 1/2"	48 1/4"	53 7/8"	61"	72 1/2"	90"
D1	14 3/4"	17 1/8"	19"	22 3/8"	23 1/2"	30 5/8"	37 1/2"	43 7/8"	50 5/8"	60 1/2"	66"	73 5/8"	84 3/4"	106"	129"
WGT.	21	27	32	38	48	86	120	164	228	390	438	630	960	1390	1820