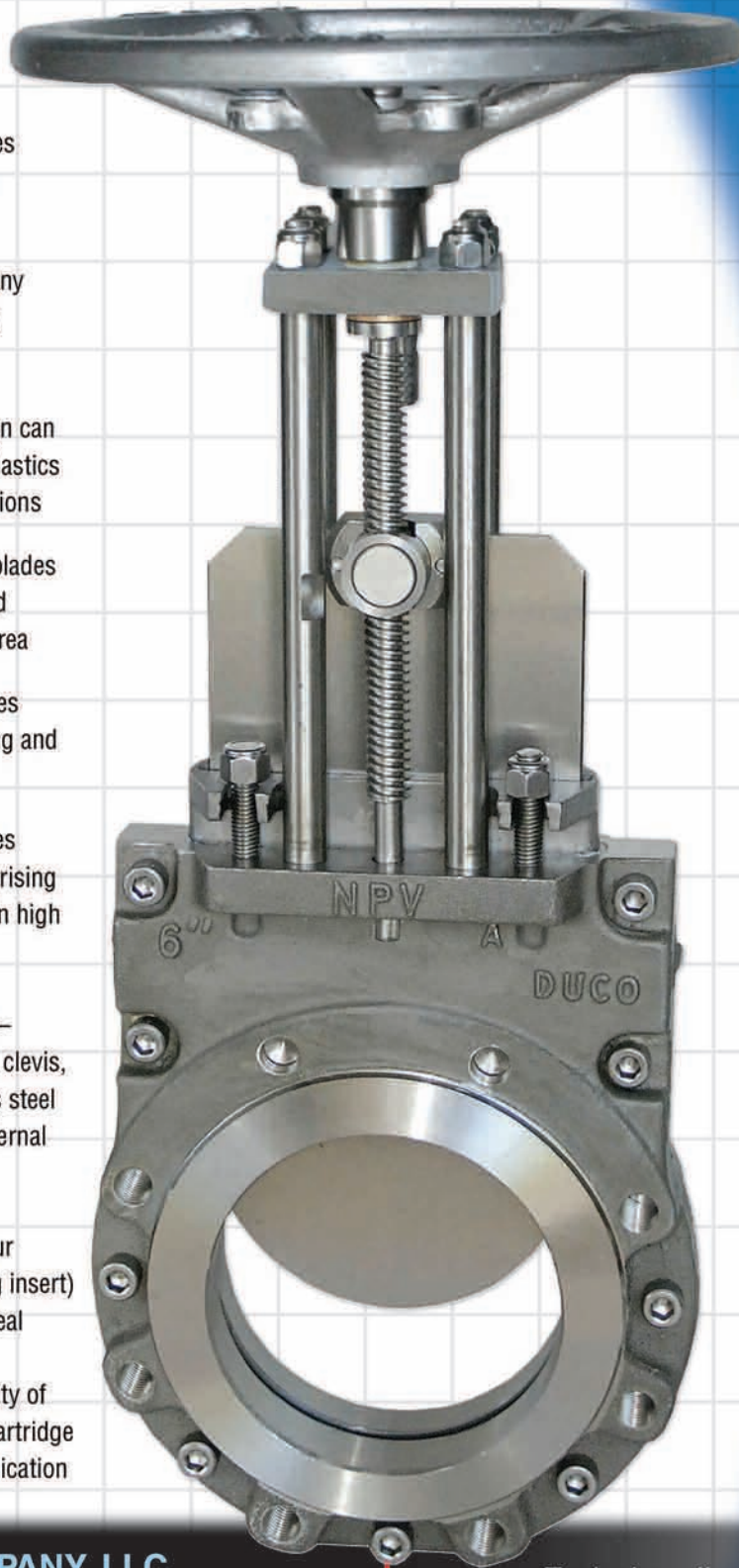


Bidirectional Perimeter Seated Full Port Cavity Free Design

Features and Benefits :

1. Perimeter o-ring seat guarantees bidirectional bubble tight shutoff
2. O-ring is mechanically retained between body halves preventing any movement during cycles assuring bubble tight shutoff
3. Full port cavity free body design can easily handle slurries, powders, plastics and other solids handling applications
4. Body halves serve as scraper blades for gate preventing excessive solid materials from entering packing area
5. Two-piece body design simplifies repair/replacement of gate, packing and seat ring
6. Non-rise stem design eliminates potential safety hazard caused by rising stem valves and performs better in high vibration areas
7. All external valve components – stanchions, bolting, bridge, stem, clevis, packing follower – are of stainless steel construction which minimizes external corrosion
8. Deep stuffing box along with our special live loaded packing (o-ring insert) ensures long term external gate seal
9. DUCO design allows for flexibility of using o-ring seat or replaceable cartridge seats depending on nature of application



Full port, o-ring seat



Manual lockout

REPLACEABLE SEAT CARTRIDGES:



DUFRENE AND COMPANY, LLC
EXCLUSIVE AGENT/NORTH PORT VALVES

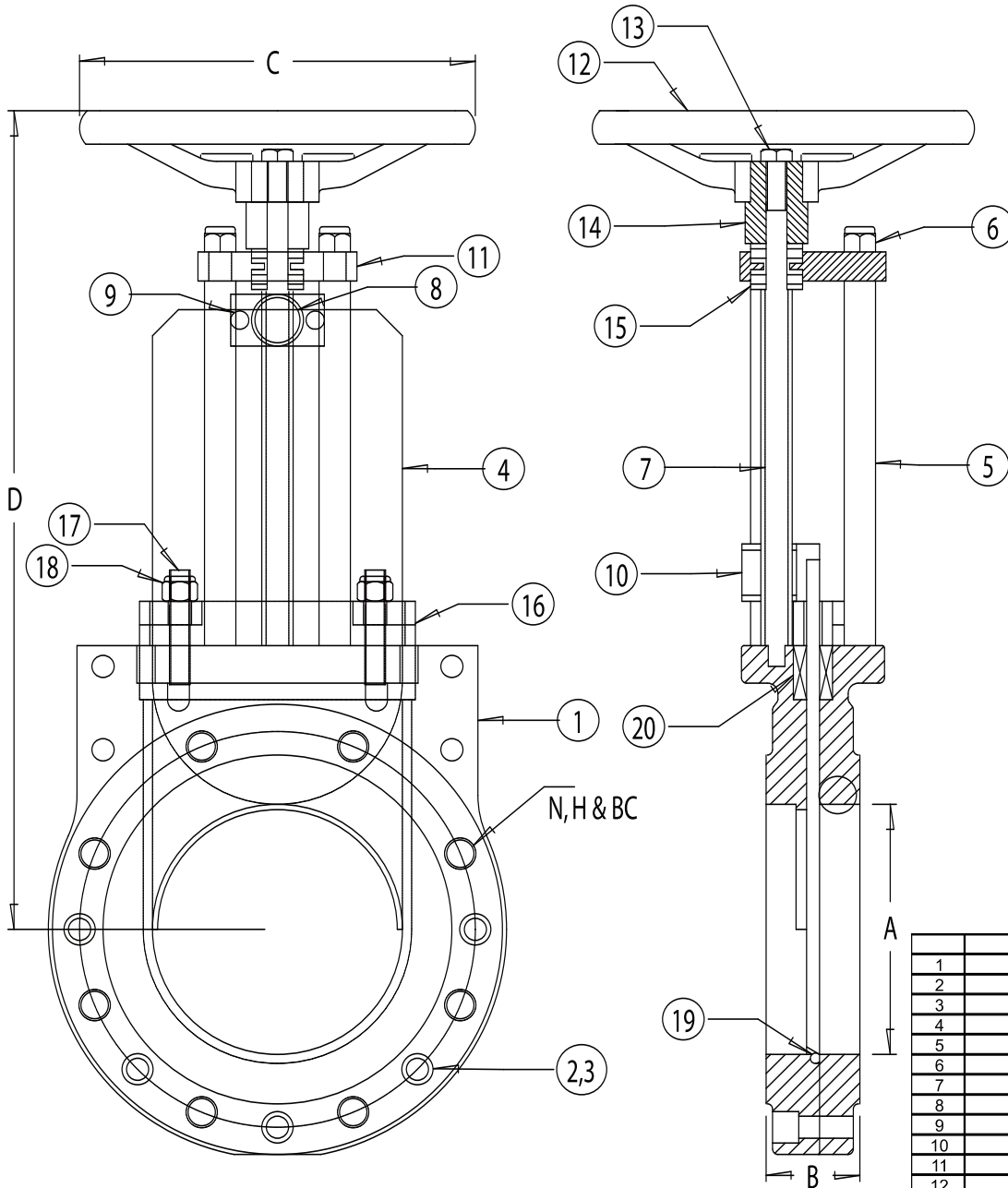
BRIAN M. DUFRENE
VICE PRESIDENT/BUSINESS DEVELOPMENT

CELL: 225-938-5025
brian@dufrenevalve.com
OFC: 225-753-5006
FAX: 225-753-8828
sales@dufrenevalve.com

Typical applications include:

1. All stock applications
2. Refiners for paper machines
3. Green, black, and white liquor
4. Lime slurry, fly ash, powders, solids, etc.

DUCO Bidirectional Perimeter Seated Full Port Cavity Free Design



	PART NAME	MATERIAL
1	BODY	CG8M (317 S.S.)
2	BODY BOLTS	18.8 S.S.
3	BODY NUTS	18.8 S.S.
4	GATE	316L S.S.
5	STANCHION	303 S.S.
6	NYLOK NUT	18.8 S.S.
7	STEM	303 S.S.
8	COUPLING	303 S.S.
9	COUPLING BOLT	18.8 S.S.
10	STEM NUT	660 BRONZE
11	BRIDGE	304 S.S.
12	HANDWHEEL	ALUMINUM
13	HANDWHEEL BOLT	18.8 S.S.
14	YOKE	303 S.S.
15	BEARINGS	N/A
16	GLAND	CG8M (317 S.S.)
17	GLAND STUDS	18.8 S.S.
18	GLAND NYLOK NUT	18.8 S.S.
19	O-RING	VITON
20	PACKING	SYNTHETIC TEFLON

	3"	4"	6"	8"	10"	12"	14"	16"
A	3"	4"	6"	8"	10"	12"	14"	16"
B	2"	2"	2 1/4"	2 3/4"	2 3/4"	3"	3"	3 1/2"
N(HOLES)	4	8	8	8	12	12	12	16
H(TAP)	5/8" - 11	5/8" - 11	3/4" - 10	3/4" - 10	7/8" - 9	7/8" - 9	1" - 8	1" - 8
BC	6"	7 1/2"	9 1/2"	11 3/4"	14 1/4"	17"	18 3/4"	21 1/4"
C	7 1/2"	7 1/2"	9"	11 3/4"	11 3/4"	15 3/4"	15 3/4"	15 3/4"
D	15 1/2"	17"	20 1/4"	25"	30"	33 7/8"	36 7/8"	44 1/2"