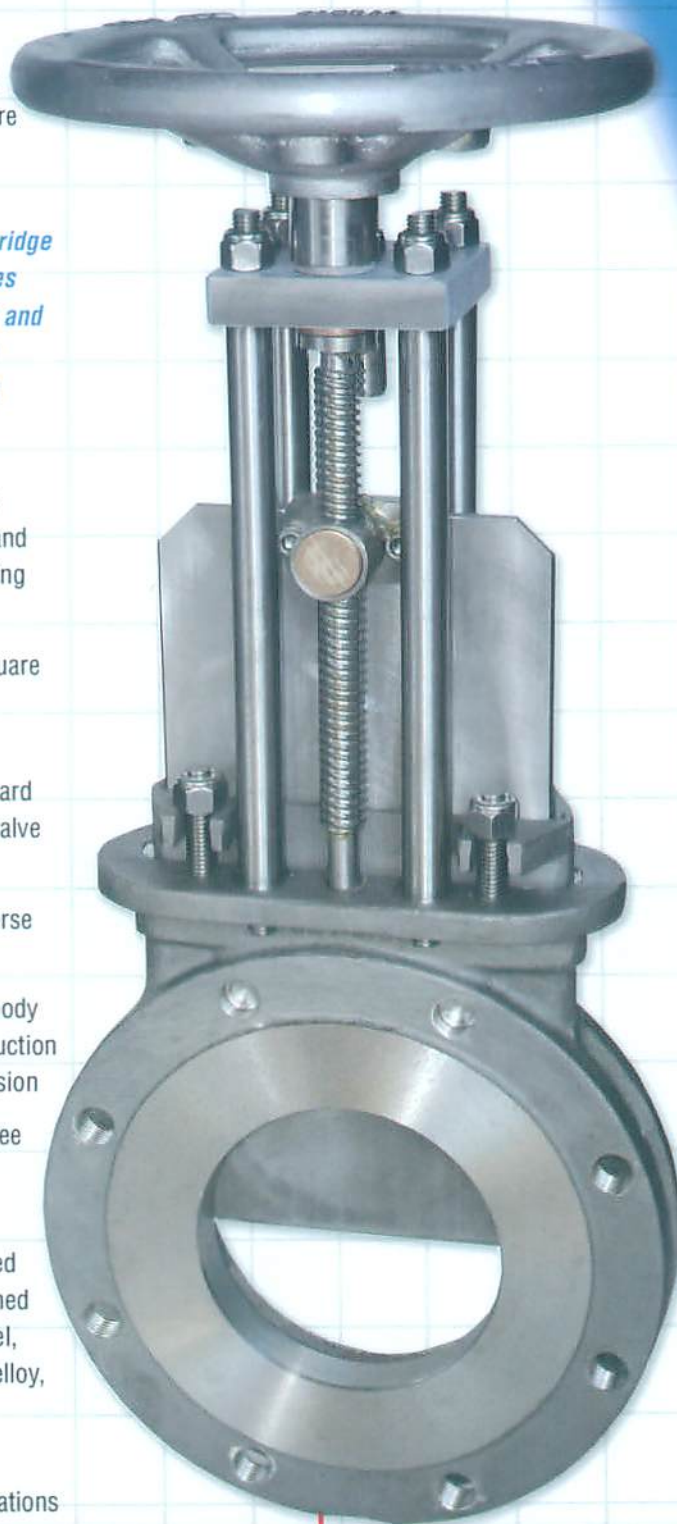


NPV Bidirectional Valve

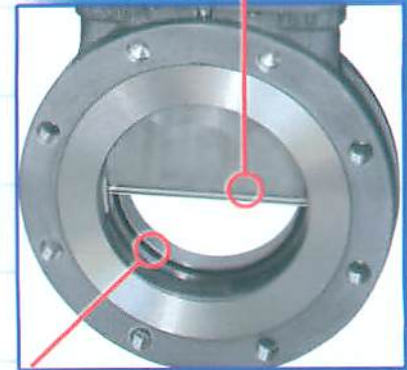
Features and Benefits :

1. Designed to perform in applications where the industry has been using more expensive perimeter seated high performance knife gate valves
2. Use of replaceable metal seat cartridge with viton elastomer L-seal eliminates integral seated o-rings coming loose and getting into the flow stream possibly causing major damage to equipment and paper products.
3. Precision machined cast lugs in the body guarantee bidirectional shut off and assures bubble tight shut off when using elastomer seat
4. Internal square body design and square gate prevents build up of solids and dewatering of pulp stock
5. Non-rise stem eliminates safety hazard and improves vibration resistance of valve topworks
6. Full flange body design resists adverse effects of pipe stresses
7. Topworks, bolting, packing gland, body and gate are all Stainless Steel construction preventing internal and external corrosion
8. Stainless Steel Nylock nuts guarantee positive tightness even under high vibration
9. All standard valves are manufactured of 317SS bodies with 316L SS chromed gates. In addition we offer carbon steel, ductile iron, Alloy 20, 254 SMO, Hastelloy, Titanium, etc.
10. Sizes: 3" - 42"
Covers 98% of knife gate valve applications



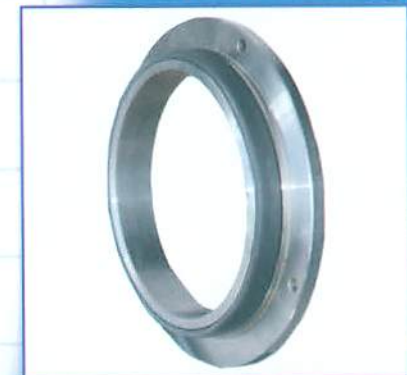
Heavy duty cast handwheel with lockout bar simplifies lockout procedure

Beveled gate edge assists in removing any solid material that may plug in lower section of valve body



Bidirectional bubble tight shut off with elastomer seat allows for installation in either direction

REPLACEABLE SEAT CARTRIDGE



L-seal viton elastomer

Typical applications include:

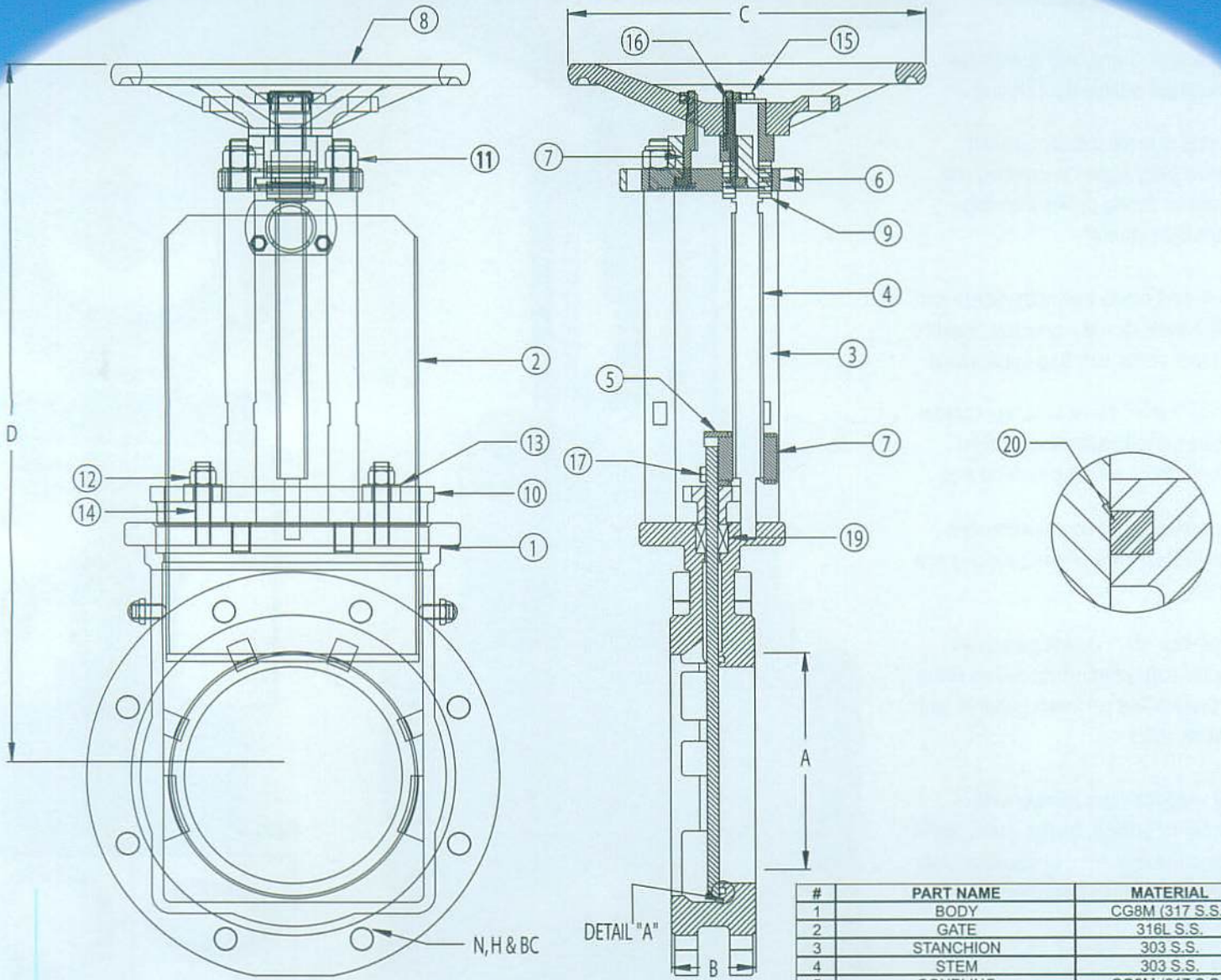
1. Pulp and Paper - pulp stock (High and low density), black liquor, white liquor, white water, lime mud slurries, refiner isolation, water and waste treatment
2. Power - fly ash, wet ash, lime slurry scrubbers, pulverizers
3. Others - plastics manufacturers, cement manufacturers, water treatment and waste treatment facilities
4. Some scavenger applications

DUFRENE AND COMPANY, LLC
EXCLUSIVE AGENT/NORTH PORT VALVES

BRIAN M. DUFRENE
VICE PRESIDENT/BUSINESS DEVELOPMENT

CELL: 225-938-5025
brian@dufrenevalve.com
OFC: 225-753-5006
FAX: 225-753-8828
sales@dufrenevalve.com

NPV Bidirectional Valve



#	PART NAME	MATERIAL
1	BODY	CG8M (317 S.S.)
2	GATE	316L S.S.
3	STANCHION	303 S.S.
4	STEM	303 S.S.
5	COUPLING	CG8M (317 S.S.)
6	BRIDGE	303 S.S.
7	STEM NUT	660 BRONZE
8	HANDWHEEL	ALUMINUM
9	BEARINGS	N/A
10	GLAND	CG8M (317 S.S.)
11	BRIDGE NYLOCK NUT	18.8 S.S.
12	GLAND NYLOCK NUT	18.8 S.S.
13	GLAND WASHER	18.8 S.S.
14	GLAND STUD	18.8 S.S.
15	HANDWHEEL BOLT	18.8 S.S.
16	WASHER	18.8 S.S.
17	COUPLING BOLT	18.8 S.S.
18	COUPLING NYLOCK NUT	18.8 S.S.
19	PACKING	TEFLON
20	O-RING	VITON

	2"	3"	4"	5"	6"	8"	10"	12"	14"	16"	18"	20"	24"	30"	36"
A	2"	3"	3 3/4"	4 7/8"	5 3/4"	7 5/8"	9 1/2"	11 1/8"	13 3/16"	15 35/64"	17 7/16"	19 11/32"	23"	28 5/16"	33 1/2"
B	1 7/8"	2"	2"	2 1/4"	2 1/4"	2 3/4"	2 3/4"	3"	3"	3 1/2"	3 1/2"	4 1/2"	4 1/2"	4 1/2"	5"
N(HOLES)	4	4	8	8	8	8	12	12	12	16	16	20	20	28	32
H(TAP)	5/8" - 11	5/8" - 11	5/8" - 11	3/4" - 10	3/4" - 10	3/4" - 10	7/8" - 9	7/8" - 9	1" - 8	1" - 8	1 1/8" - 7	1 1/8" - 7	1 1/4" - 7	1 1/4" - 7	1 1/2" - 7
BC	4 3/4"	6"	7 1/2"	8 1/2"	9 1/2"	11 3/4"	14 1/4"	17"	18 3/4"	21 1/4"	22 3/4"	25"	29 1/2"	36"	42 3/4"
C	7 1/2"	7 1/2"	7 1/2"	9"	9"	11 3/4"	11 3/4"	15 3/4"	15 3/4"	15 3/4"	20"	20"	23 5/8"	26 3/4"	31 1/2"
D	11 5/8"	13 1/2"	15"	17"	18 1/4"	23"	28"	31 7/8"	36 7/8"	44 1/2"	48 1/4"	53 7/8"	61"	72 1/2"	90"